



Agency Approvals:

777 and 877 - Class I, Division 1, Groups C & D/T6 Ta = 60 Deg C
Class I, Division 2, Groups A, B, C & D
Class II & III, Division 1, Groups E, F & G

360 - Class I, Division 1, Groups C & D
Class II, Division 1, Groups E, F & G
Type 4, 4X Enclosures (NEMA 4, 4X)

Product Overview

Quantum Rotary Position Control Monitor with mechanical switches, Magnum (hermetically sealed proximity type) switches or MagPAC Bifurcated Switch Pac.

777 – Aluminum Enclosure with powder coat finish and single coil solenoid valve options

877 – Aluminum Enclosure with powder coat finish and dual coil solenoid valve options

360 – Aluminum Enclosure with polyurethane finish and single coil solenoid valve options

Features and Benefits

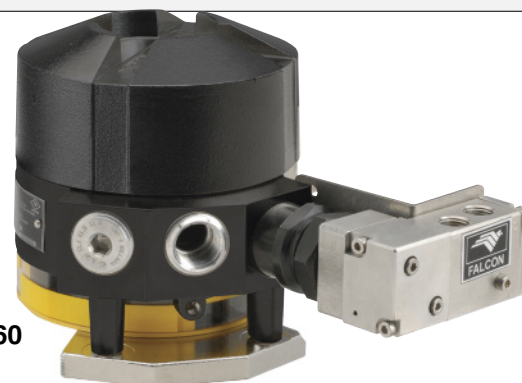
- The Westlock™ Beacon is manufactured from a high impact strength co-polyester, that offers instant visual recognition of valve position from all vantage points up to 150 feet.
- Touch set cams are spring loaded and easy to adjust, providing instantaneous hand setting of position sensors.
- Terminal strips are pre-wired and numbered with generous working space for ease of use.
- All units are standard with an additional conduit for easy field wiring and mounting accessories.
- All AccuTrak™ and Quantum products utilize a standardized mounting pattern for easy adaptation to common bracketry.
- Aluminum enclosures with ultra-low copper content (0.2% maximum).
- Captive screws on cover to prevent lost screws during installation and maintenance.
- Factory pre-wired Falcon solenoid valve of choice standard.
- NAMUR shaft output compliant to VDI/VDE 3845 available.



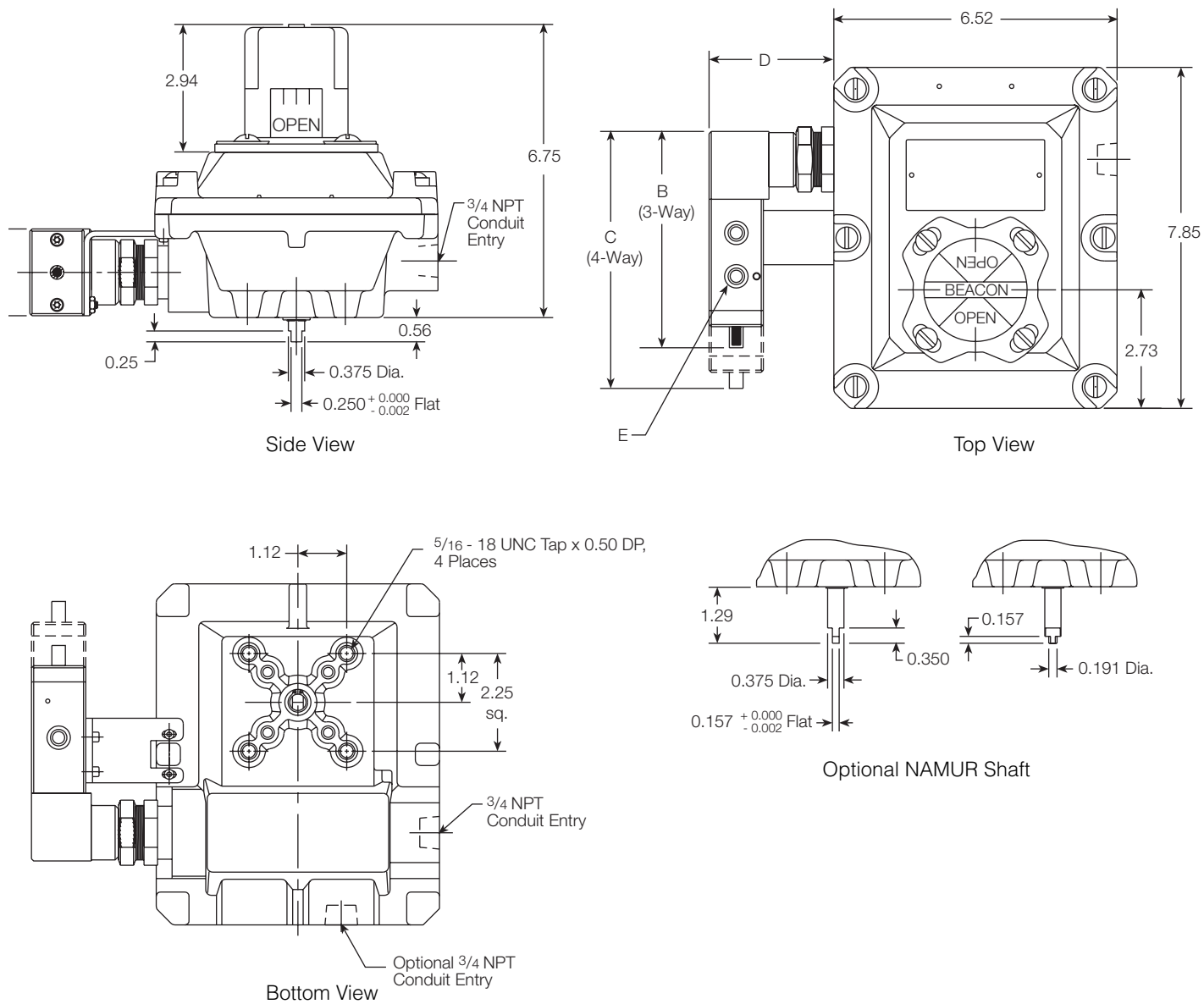
Quantum 777

Quantum 877

Quantum 360



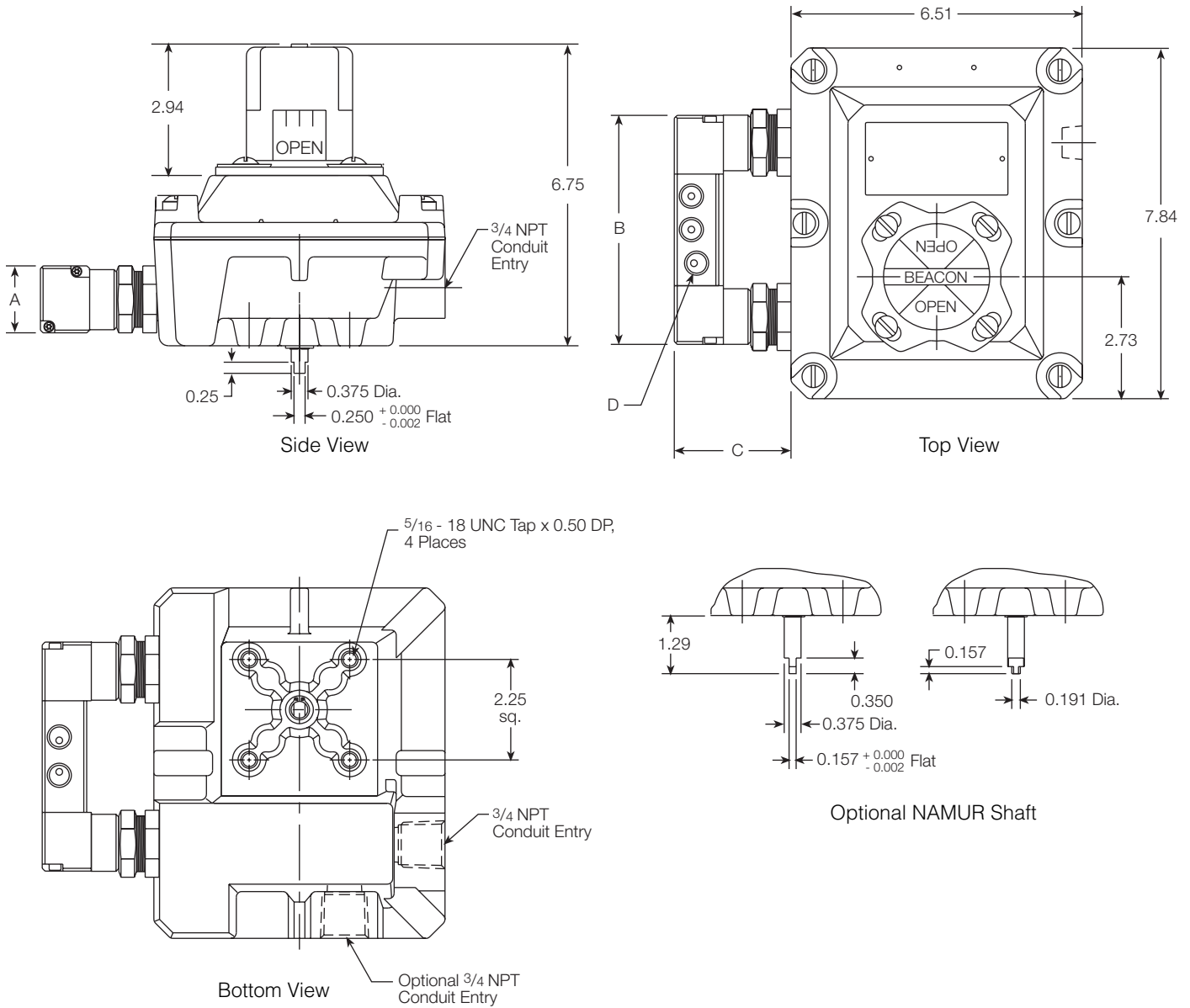
Dimensions Model 777



Dimensions

	A	B (3-way)	C (4-way)	D	E
0.5 C _v	1.50	3.62	4.38	2.66	1/4 NPT (F)
1.2 C _v	2.00	4.96	5.95	2.92	1/4 NPT (F)
3.5 C _v	2.75	5.31	6.62	3.40	1/2 NPT (F)

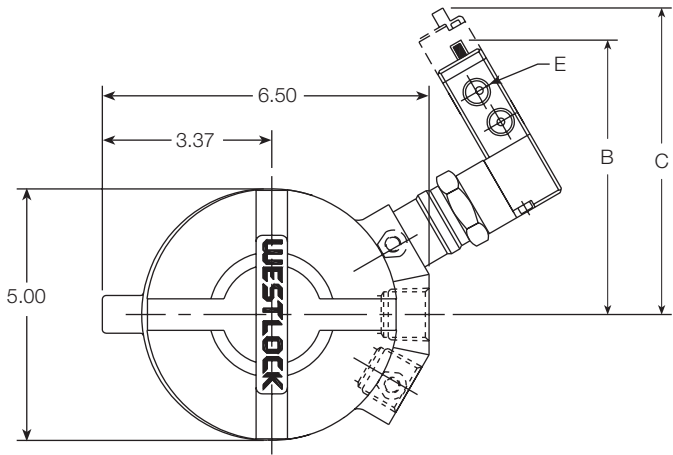
Dimensions Model 877



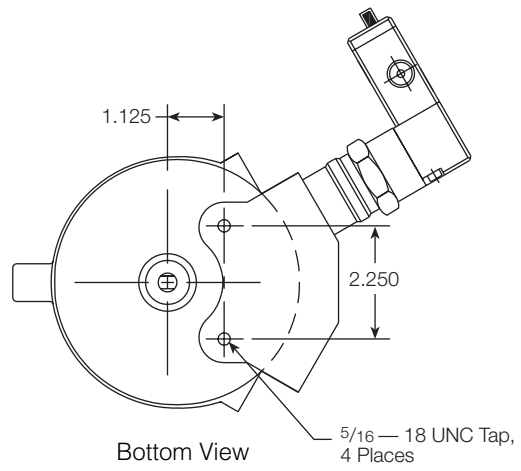
Dimensions

	A	B	C	D
0.5 C _v	1.50	5.13	2.66	1/4 NPT (F)
1.2 C _v	2.00	6.69	2.92	1/4 NPT (F)
3.5 C _v	2.75	7.74	3.40	1/2 NPT (F)

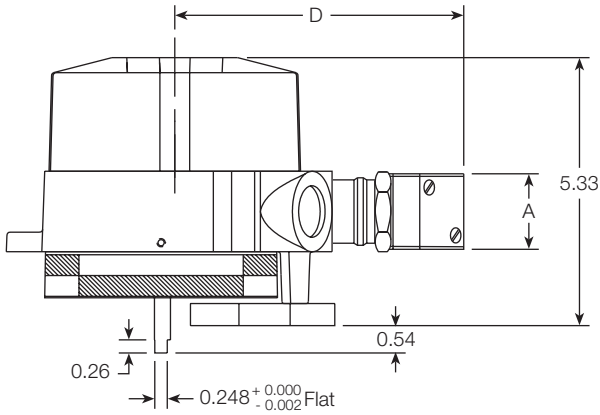
Dimensions Model 360



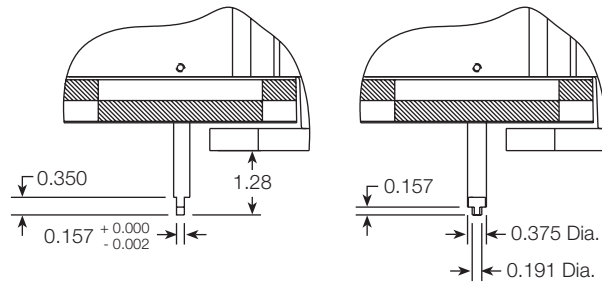
Top View



Bottom View



Side View



Optional NAMUR Shaft

Dimensions

	A	B (3-way)	C (4-way)	D	E
0.5 C _v	1.50	5.46	6.10	6.02	1/4 NPT (F)
1.2 C _v	2.00	6.62	7.42	6.35	1/4 NPT (F)
3.5 C _v	2.75	7.30	8.41	6.80	1/2 NPT (F)

Ordering Guide

Base Model

- 777- Aluminum Enclosure
- 877- Aluminum Enclosure for Dual Coil
- 360- Aluminum Enclosure

Shaft Output

- S Standard (Double-D with 1/4" Flats)
- N NAMUR
- D Direct Mount (Modmount system included for Keystone MRP and 79U actuators) (not available for 360)

Beacon

- | | | | | | |
|----|---------------------------|----|-------|----|------------|
| BY | BM2-Y (Standard) | AR | BM2-R | B7 | BM3-7 |
| RG | BM2-RG | B1 | BM3-1 | B9 | BM3-9 |
| FE | BM2-Y-FE (French/English) | B3 | BM3-3 | FC | Flat Cover |
| AB | BM2-B | B5 | BM3-5 | | |

Conduit

- 1A One 3/4" NPT (F)
- 2B Two 3/4" NPT (F)

Position Switches

- 2M02 Two SPDT Mechanical switches - 8 pt. TS (10 pt. TS for Model 360)
- 2M04 Two DPDT Mechanical switches - 16 pt. TS (14 pt. TS for Model 360)
- 2M06 Two SPDT Magnum switches - 8 pt. TS (10 pt. TS for Model 360)
- 2M12 Two SPDT Magnum switches with Rhodium contacts - 8 pt. TS (10 pt. TS for Model 360)
- 2M13 Two SPST MagPAC Module - Two SPST Bifurcated switches with LEDs (not available for Model 360)

Analog Position Transmitter

- 00 Not Available

Coil Voltage

- X 24 VDC (XP Coil)
- Y 120 VAC (XP Coil)

Falcon Valve Body

- | | | | |
|----|---|----|---|
| 22 | 0.5 C _v , 3-Way, Brass | 26 | 0.5 C _v , 4-Way, Brass |
| 32 | 0.5 C _v , 3-Way, Aluminum | 36 | 0.5 C _v , 4-Way, Aluminum |
| 42 | 0.5 C _v , 3-Way, 303 SS | 46 | 0.5 C _v , 4-Way, 303 SS |
| 52 | 0.5 C _v , 3-Way, 316 SS | 56 | 0.5 C _v , 4-Way, 316 SS |
| 23 | 1.2 C _v , 3-Way, Brass | 27 | 1.2 C _v , 4-Way, Brass |
| 33 | 1.2 C _v , 3-Way, Aluminum | 37 | 1.2 C _v , 4-Way, Aluminum |
| 43 | 1.2 C _v , 3-Way, 303 SS | 47 | 1.2 C _v , 4-Way, 303 SS |
| 53 | 1.2 C _v , 3-Way, 316 SS | 57 | 1.2 C _v , 4-Way, 316 SS |
| 34 | 3.5 C _v , 3-Way, Aluminum | 38 | 3.5 C _v , 4-Way, Aluminum |
| 54 | 3.5 C _v , 3-Way, 316 SS*** | 58 | 3.5 C _v , 4-Way, 316 SS*** |
| 20 | 0.5 C _v , Dual Coil, Brass* | 30 | 0.5 C _v , Dual Coil, Aluminum* |
| 40 | 0.5 C _v , Dual Coil, 303 SS* | 50 | 0.5 C _v , Dual Coil, 316 SS* |
| 2Y | 1.2 C _v , Dual Coil, Brass* | 3Y | 1.2 C _v , Dual Coil, Aluminum* |
| 4Y | 1.2 C _v , Dual Coil, 303 SS* | 5Y | 1.2 C _v , Dual Coil, 316 SS* |
| 3Z | 3.5 C _v , Dual Coil, Aluminum* | | |

Special Valve Features

- 0 None
- V Non-venting (available in 1.2 C_v only)
- I Non-venting, No indicator (available in 1.2 C_v only)

Override Options

- 0 None
- M Momentary**
- L Locking**
- R No-voltage Release, Non-latching (available in 1.2 C_v only)
- N No-voltage Release, Latching (available in 1.2 C_v only)
- E External Pilot**

777- N BY 1B 2M13 00 X 53 0 0 = Model Number **777-NBY1B2M1300X5300**

* Dual Coil valve body options only available with base Model 877
 ** Override Options M, L, E are not available with option "54" and "58" Falcon valve bodies. These options are available in 303 SS.
 *** 5400 valves are 5800 valves with ports 2 and 3 plugged for 3-way functionality.

Note: Base Model 360 options available in 316 SS enclosure as Model 366.

Position Switch Application Note:
 For 120 VAC service, M13 (MagPAC) is recommended.
 For 24 VDC service below 1 watt, M12 (Rhodium Magnum switches) or M13 (MagPAC) is recommended.
 For 24 VDC service above 1 watt, M06 (Tungsten Magnum switches) or M13 (MagPAC) is recommended.

USA/Canada: Saddle Brook, NJ
Ph: 201-794-7650
Dedicated Order Fax: 201-794-4790
General Fax: 201-794-0913
www.westlockcontrols.com

Europe/Asia: Kent, England
Ph: + 44 189 251 6277
Fax: + 44 189 251 6279
www.westlockuk.com

South America: Barueri, Sao Paulo
Ph: + 55 11 2588 1400
Fax: + 55 11 2588 1410
www.westlock.com.br

Tyco Flow Control (TFC) provides the information herein in good faith but makes no representation as to its comprehensiveness or accuracy. This data sheet is intended only as a guide to TFC products and services. Individuals using this data sheet must exercise their independent judgment in evaluating product selection and determining product appropriateness for their particular purpose and system requirements. TFC MAKES NO REPRESENTATIONS OR WARRANTIES, EITHER EXPRESS OR IMPLIED, INCLUDING WITHOUT LIMITATION ANY WARRANTIES OF MERCHANTABILITY OR FITNESS FOR A PARTICULAR PURPOSE WITH RESPECT TO THE INFORMATION SET FORTH HEREIN OR THE PRODUCT(S) TO WHICH THE INFORMATION REFERS. ACCORDINGLY, TFC WILL NOT BE RESPONSIBLE FOR DAMAGES (OF ANY KIND OR NATURE, INCLUDING INCIDENTAL, DIRECT, INDIRECT, OR CONSEQUENTIAL DAMAGES) RESULTING FROM THE USE OF OR RELIANCE UPON THIS INFORMATION. Patents and Patents Pending in the U.S. and foreign countries. Tyco reserves the right to change product designs and specifications without notice. All registered trademarks are the property of their respective owners. Printed in the USA.